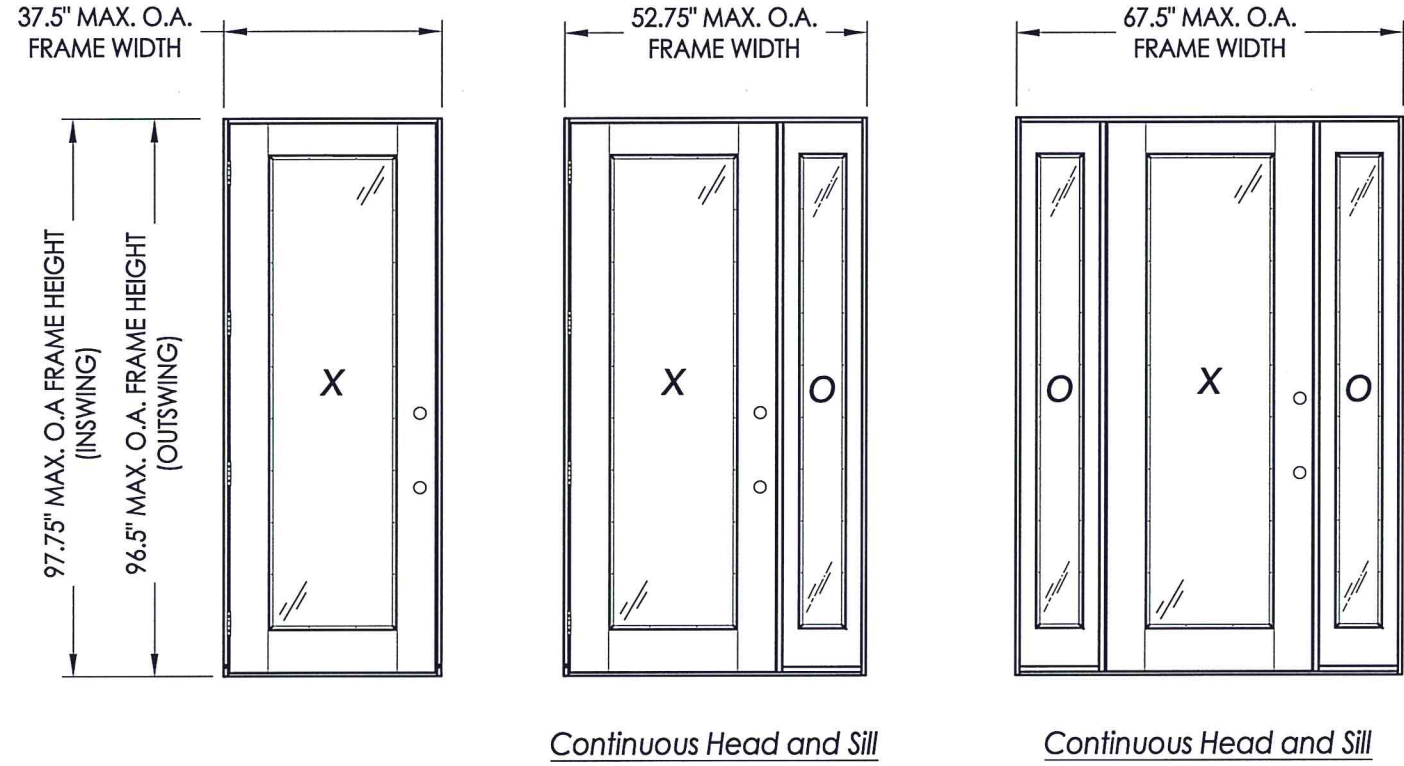




GLAZED FIBERGLASS SINGLE DOOR w/ or w/out SIDELITE(S) "IMPACT" INSWING / OUTSWING

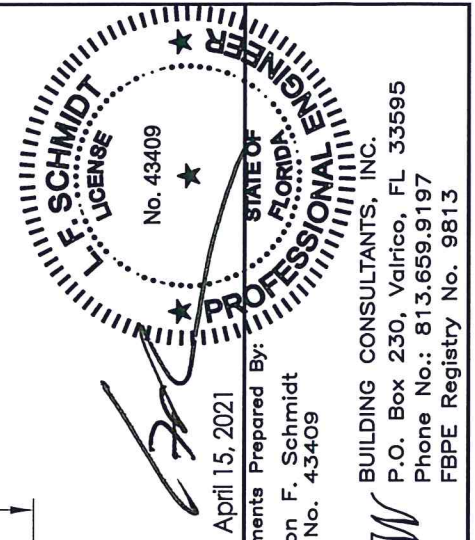
GENERAL NOTES

1. This product has been evaluated and is in compliance with the 7th Edition (2020) Florida Building Code (FBC) structural requirements excluding the "High Velocity Hurricane Zone" (HVHZ).
2. Product anchors shall be as listed and spaced as shown on details. Anchor embedment to base material shall be beyond wall dressing or stucco.
3. When used in areas requiring wind borne debris protection, this product complies with FBC Sections 1609.1.2 & R301.2.1.2 and does not require an impact resistant covering. This product meets missile level "D" and excludes Wind Zone 4 as defined in ASTM E 1996 and FBC Sections 1609.1.2.2 & R301.2.1.2.1.
4. For 2x stud framing construction, anchoring of these units shall be the same as that shown for 2x buck masonry construction.
5. Site conditions that deviate from the details of this drawing require further engineering analysis by a licensed engineer or registered architect.



CONFIGURATION	DESIGN PRESSURE (PSF) INSWING		DESIGN PRESSURE (PSF) OUTSWING	
	POSITIVE	NEGATIVE	POSITIVE	NEGATIVE
	X, OX, XO, OXO	+40.0	-45.0	+45.0

TABLE OF CONTENTS	
SHEET#	DESCRIPTION
1	Typical elevations, design pressures & general notes
2	Door panel details
3	Sidelite panel details
4	Elevations
5	Horizontal & vertical cross sections (2X buck)
6	Horizontal & vertical cross sections (1X buck)
7	Horizontal & vertical cross sections (Direct to Masonry)
8	Horizontal cross sections
9	Vertical cross sections
10	Buck anchoring
11	Frame anchoring
12	Components
13	Bill of materials



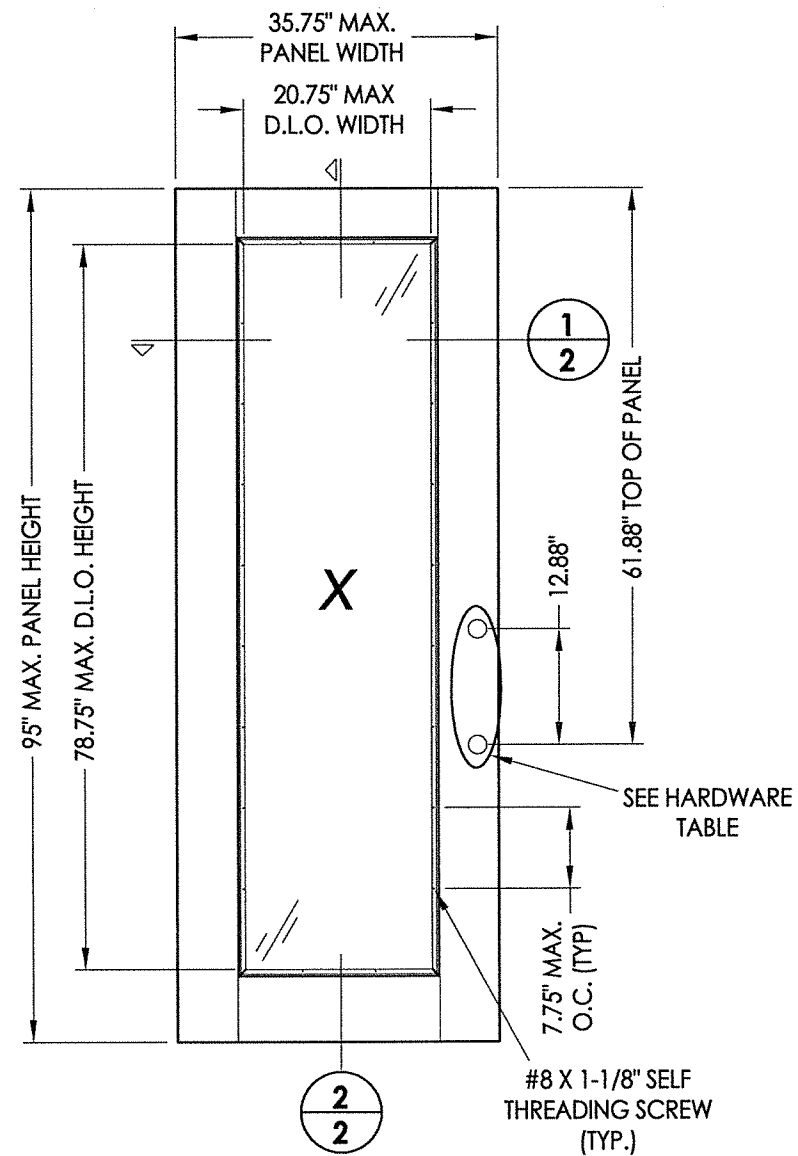
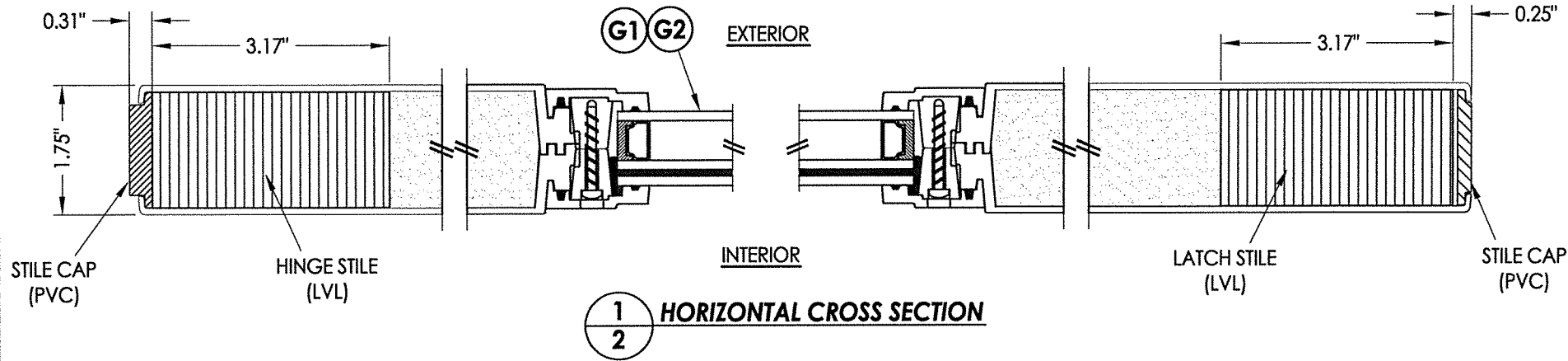
Documents Prepared By:
Lyndon F. Schmidt
P.E. No. 43409

RW
BUILDING CONSULTANTS, INC.
P.O. Box 230, Valrico, FL 33595
Phone No.: 813.659.9197
FBPE Registry No. 9813

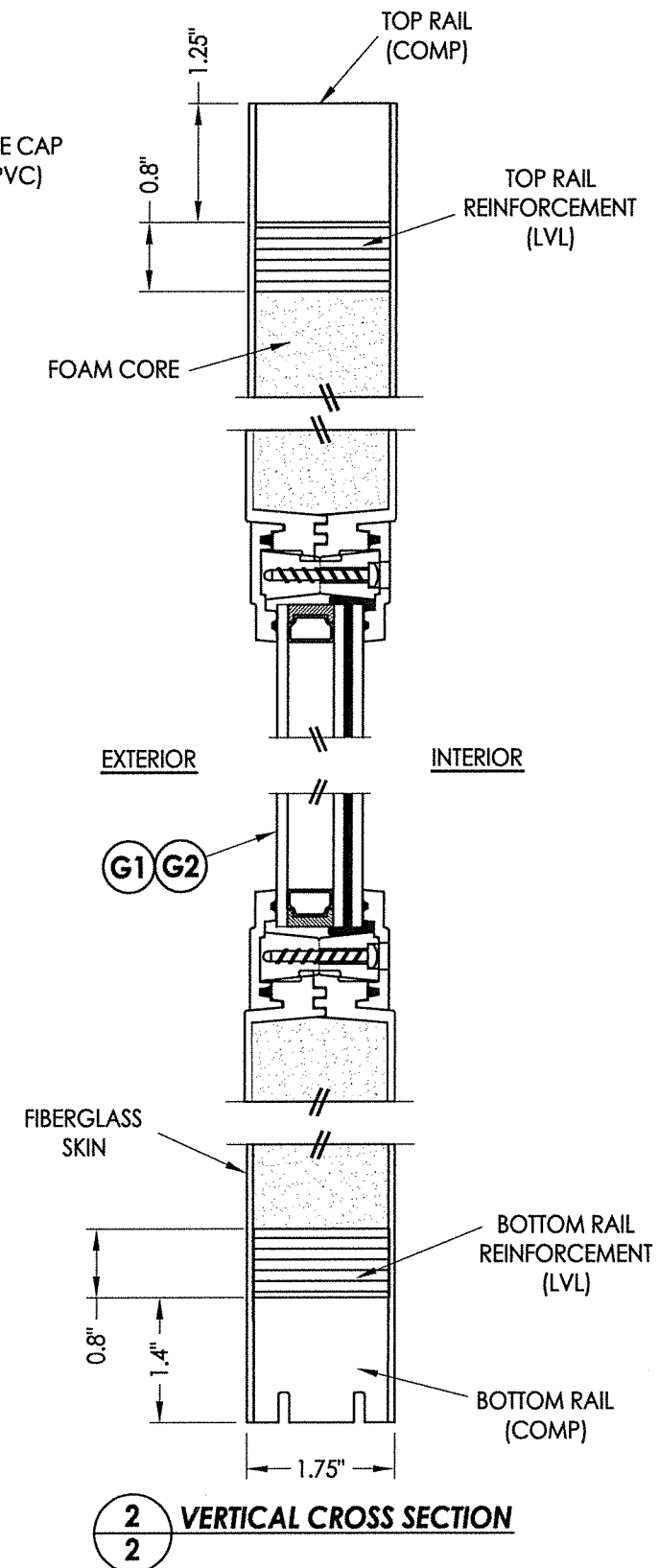
PRODUCT:		PART OR ASSEMBLY:	
TRINITY GLASS INT'L	TYPICAL ELEVATION, DESIGN PRESSURES & GENERAL NOTES		
NO.	DATE	BY	REVISIONS

DATE: 4/15/21
SCALE: N.T.S.
DWG. BY: RW
CHK. BY: LFS
DRAWING NO.: FL-25575.16
SHEET 1 OF 13

Z:\Clients\Trinity Glass PERMANENT\TA - Florida Product Approvals\FL - 25575\C. Drawings\FL 25575 (2020)\FL-25575.16.dwg



HARDWARE CHART	
MANUFACTURER	MODEL
KWIKSET	KNOB: SIGNATURE SERIES
	DEADBOLT: SIGNATURE SERIES (980)
SCHLAGE	KNOB: F SERIES
	DEADBOLT: B60 SERIES



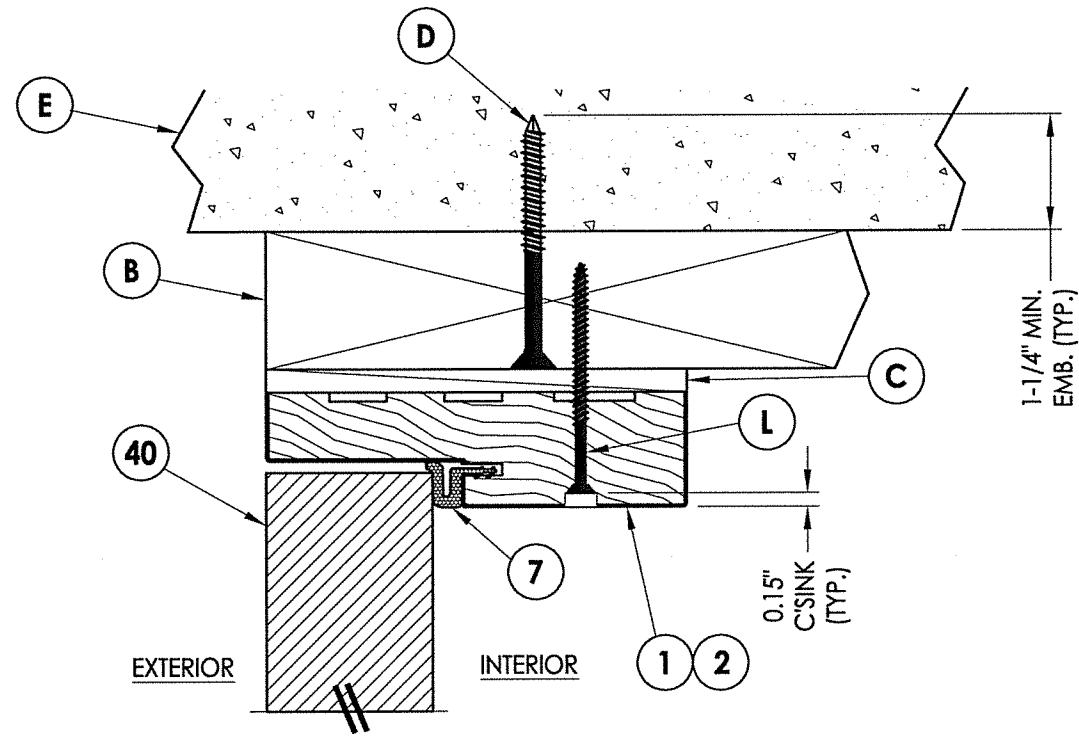
L. SCHMIDT
P.E. LICENSE
No. 43409
STATE OF FLORIDA
PROFESSIONAL ENGINEER

April 15, 2021
Documents Prepared By:
Lyndon F. Schmidt
P.E. No. 43409

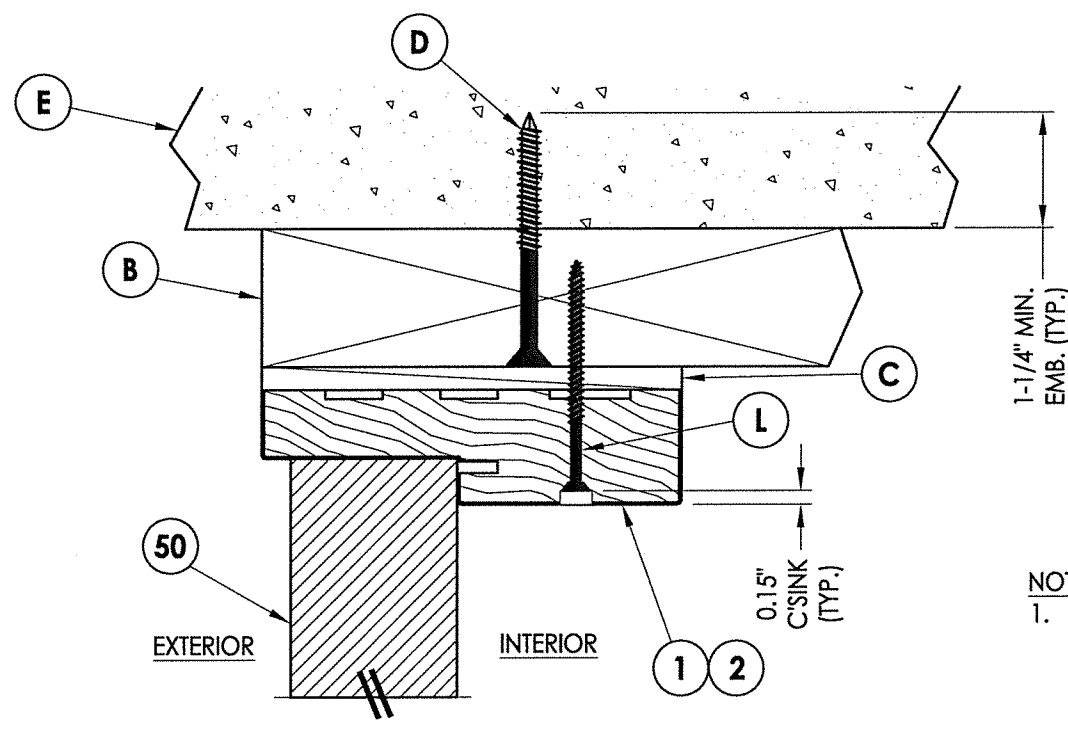
RW BUILDING CONSULTANTS, INC.
P.O. Box 230, Valrico, FL 33595
Phone No.: 813.659.9197
FBPE Registry No. 9813

PRODUCT:	TRINITY GLASS INT'L
PART OR ASSEMBLY:	DOOR PANEL DETAILS
NO.	DATE
BY	
REVISIONS	
DATE:	4/15/21
SCALE:	N.T.S.
DWG. BY:	RW
CHK. BY:	LFS
DRAWING NO.:	FL-25575.16
SHEET	2 OF 13

Z:\Clients\Trinity Glass PERMANENT\A - Florida Product Approvals\FL - 25575\C. Drawings\FL 25575 (2020)\FL-25575.16.dwg

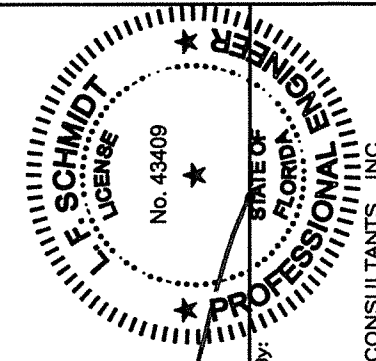


4 VERTICAL CROSS SECTION
5 Outswing shown - Inswing also approved

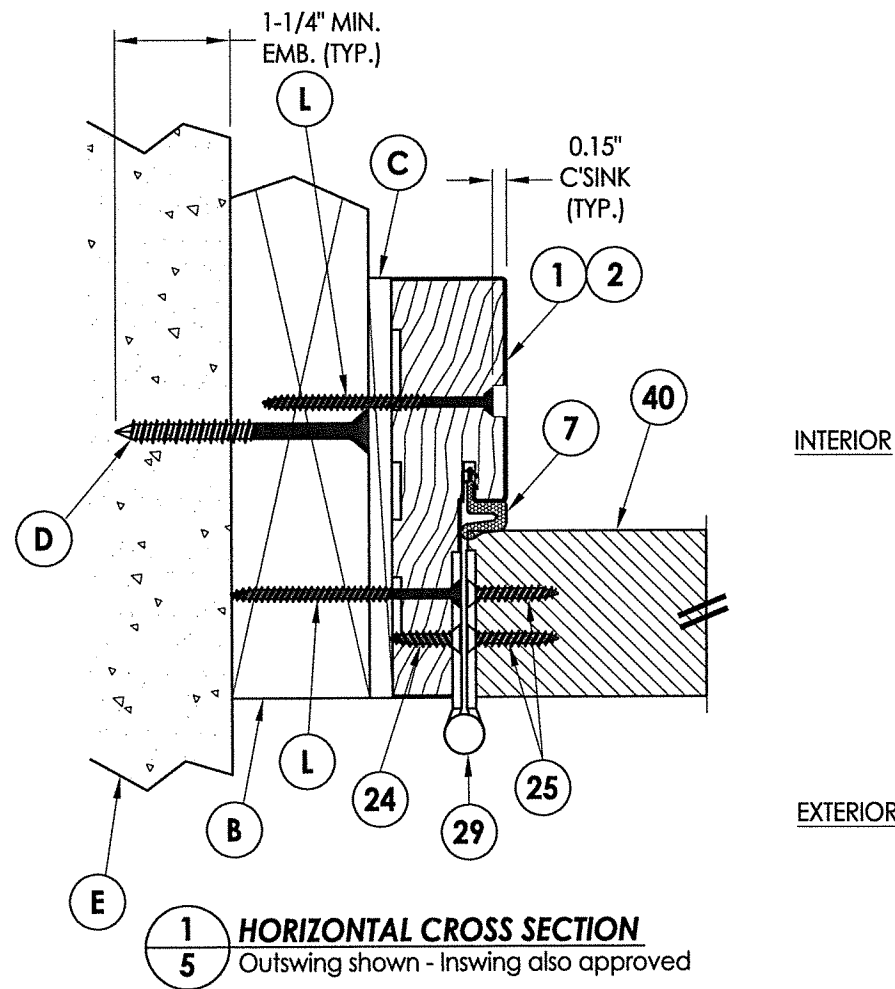


5 VERTICAL CROSS SECTION
5 Outswing shown - Inswing also approved

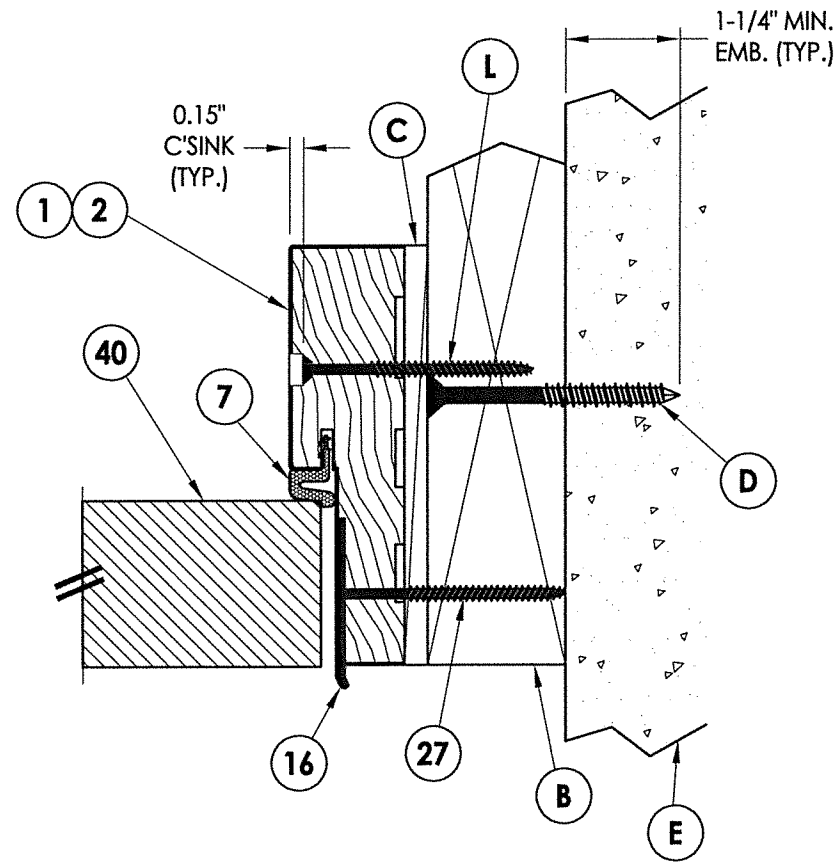
NOTE:
 1. Item #26 located 6" from each end plus 5 more equally spaced (7 total).



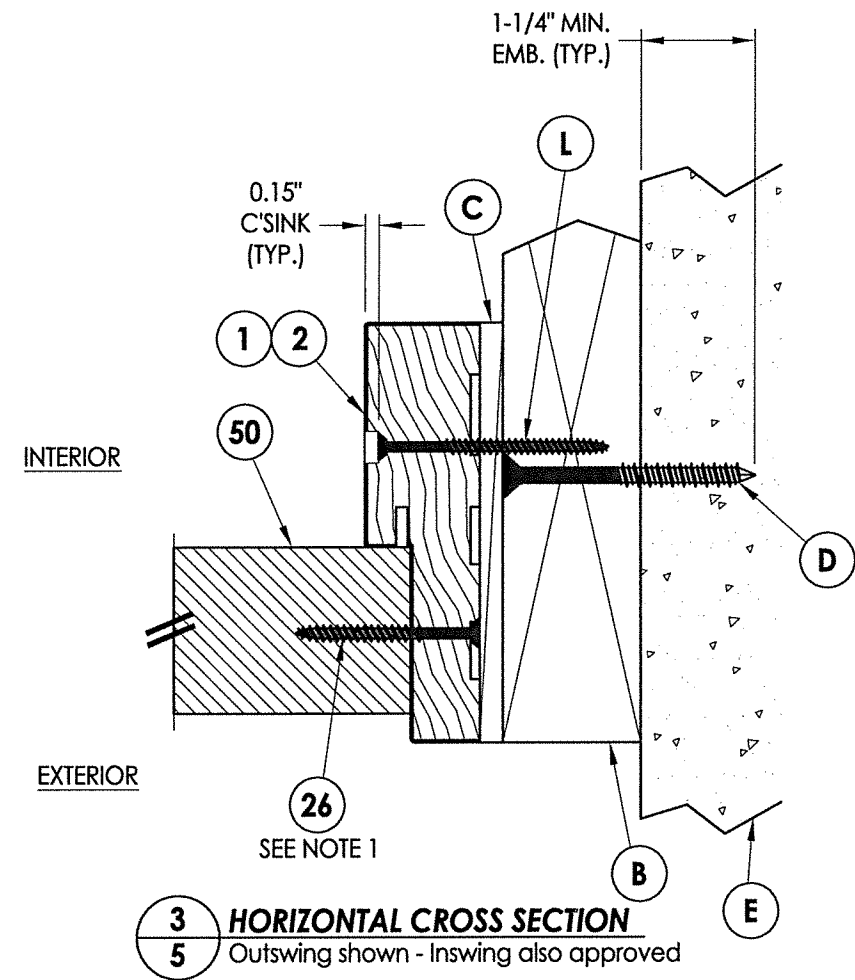
April 15, 2021
 Documents Prepared By:
 Lyndon F. Schmidt
 P.E. No. 43409
 R.W. BUILDING CONSULTANTS, INC.
 P.O. Box 230, Valrico, FL 33595
 Phone No.: 813.659.9197
 FBPE Registry No. 9813



1 HORIZONTAL CROSS SECTION
5 Outswing shown - Inswing also approved

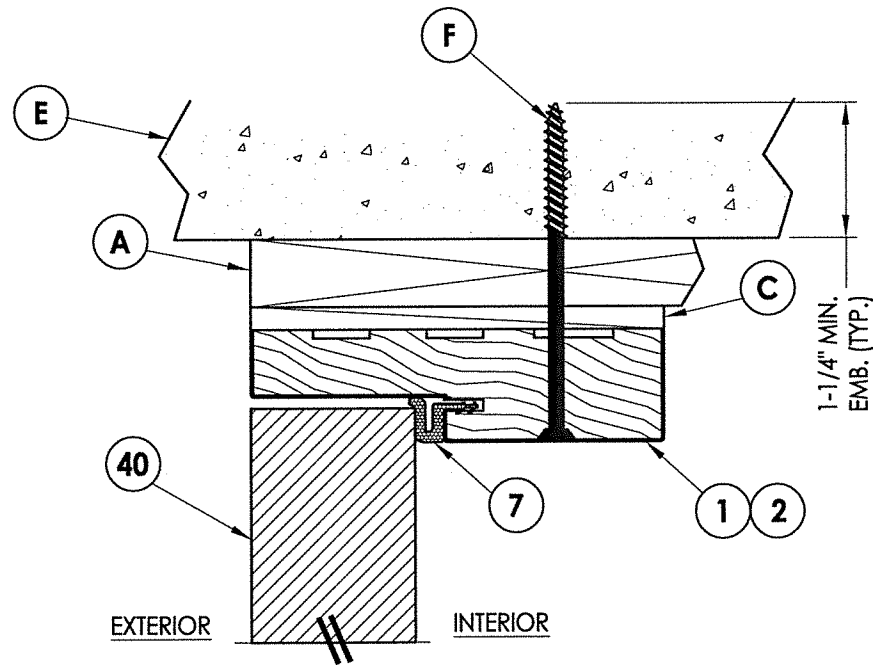


2 HORIZONTAL CROSS SECTION
5 Outswing shown - Inswing also approved

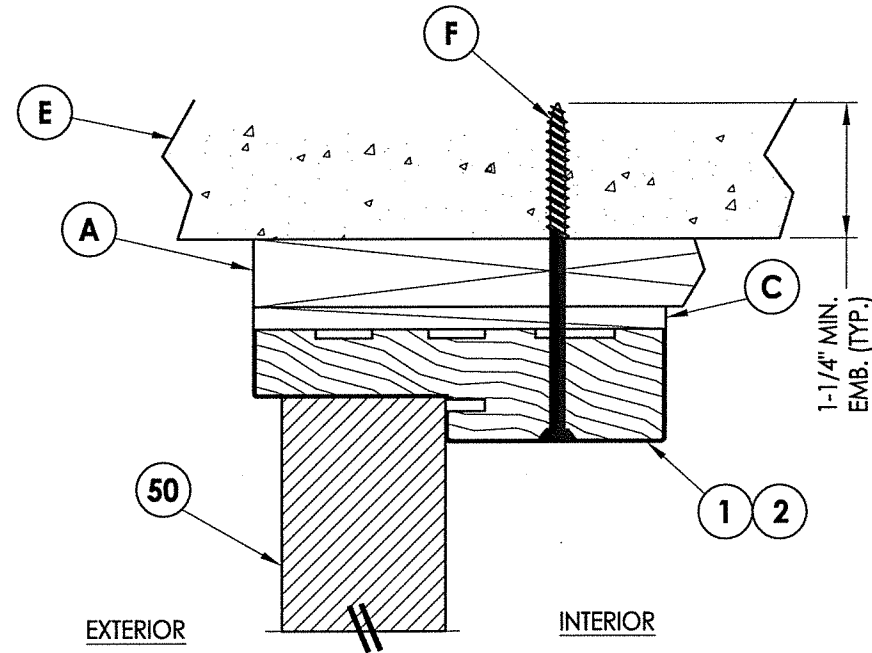


3 HORIZONTAL CROSS SECTION
5 Outswing shown - Inswing also approved

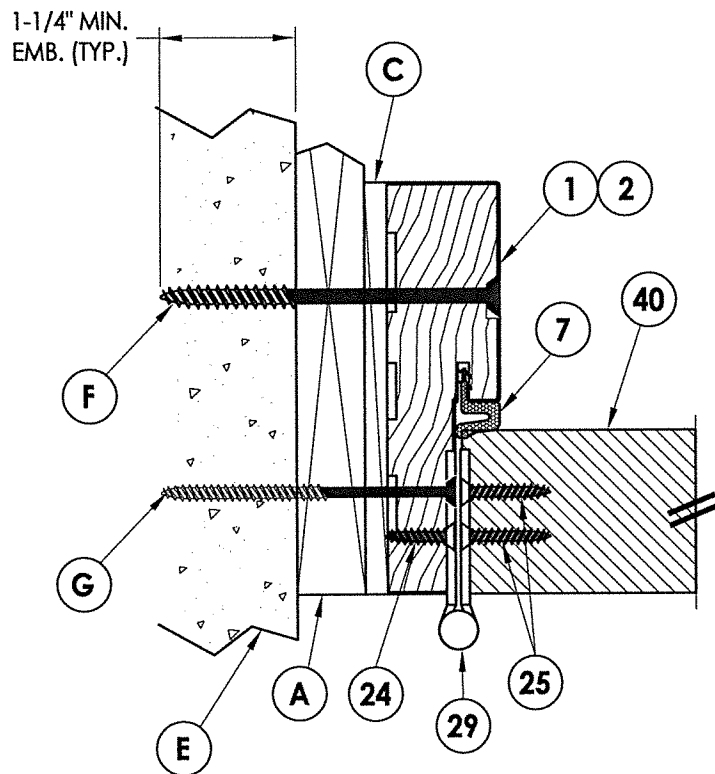
PRODUCT:	TRINITY GLASS INT'L
PART OR ASSEMBLY:	HORIZONTAL & VERTICAL CROSS SECTIONS (2X BUCK)
DATE:	4/15/21
SCALE:	N.T.S.
DWG. BY:	RW
CHK. BY:	LFS
DRAWING NO.:	FL-25575.16
SHEET	5 of 13



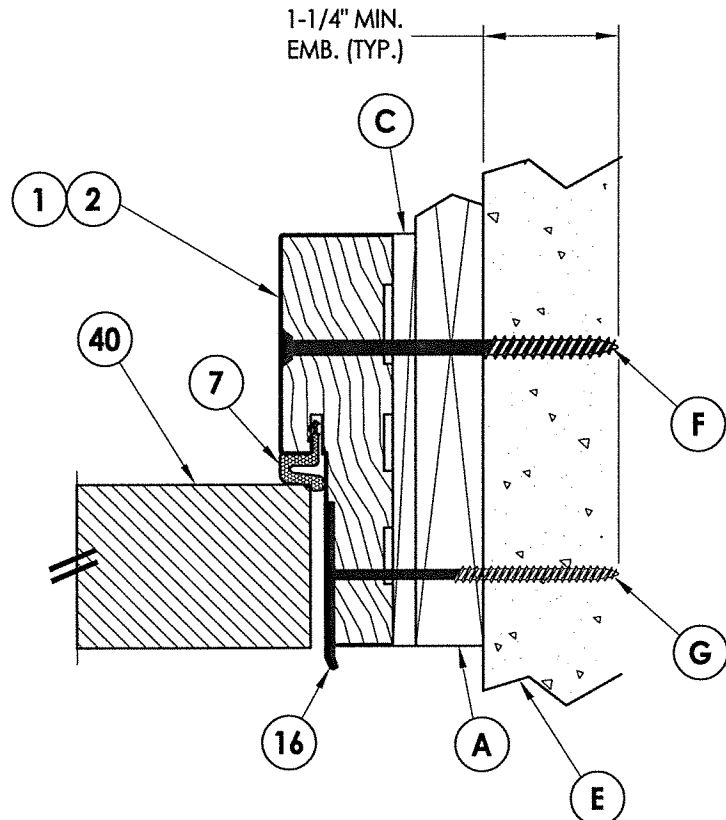
4 VERTICAL CROSS SECTION
6 Outswing shown - Inswing also approved



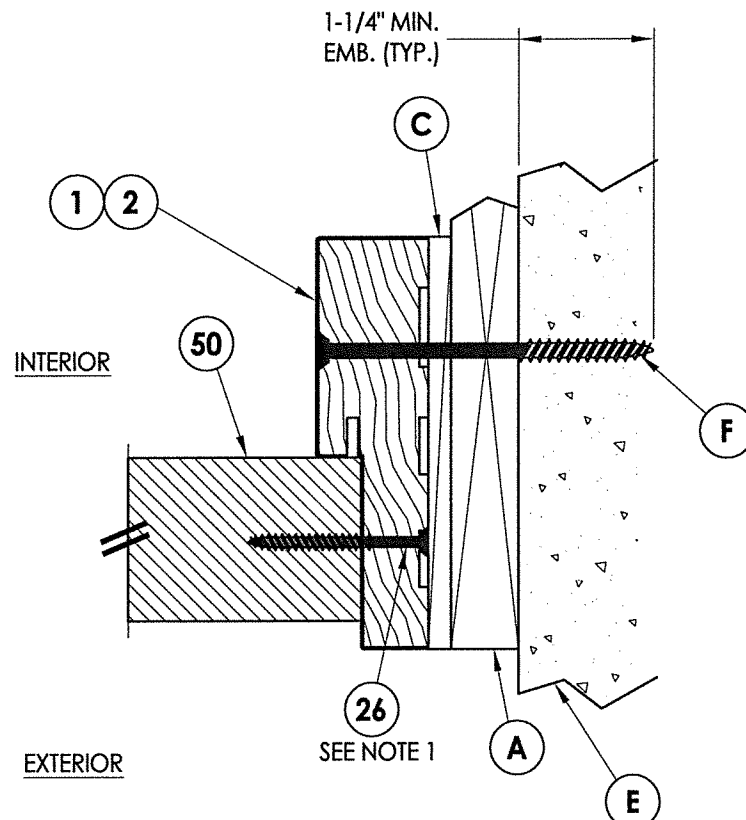
5 VERTICAL CROSS SECTION
6 Outswing shown - Inswing also approved



1 HORIZONTAL CROSS SECTION
6 Outswing shown - Inswing also approved

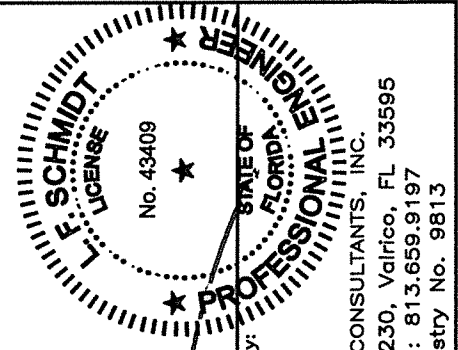


2 HORIZONTAL CROSS SECTION
6 Outswing shown - Inswing also approved



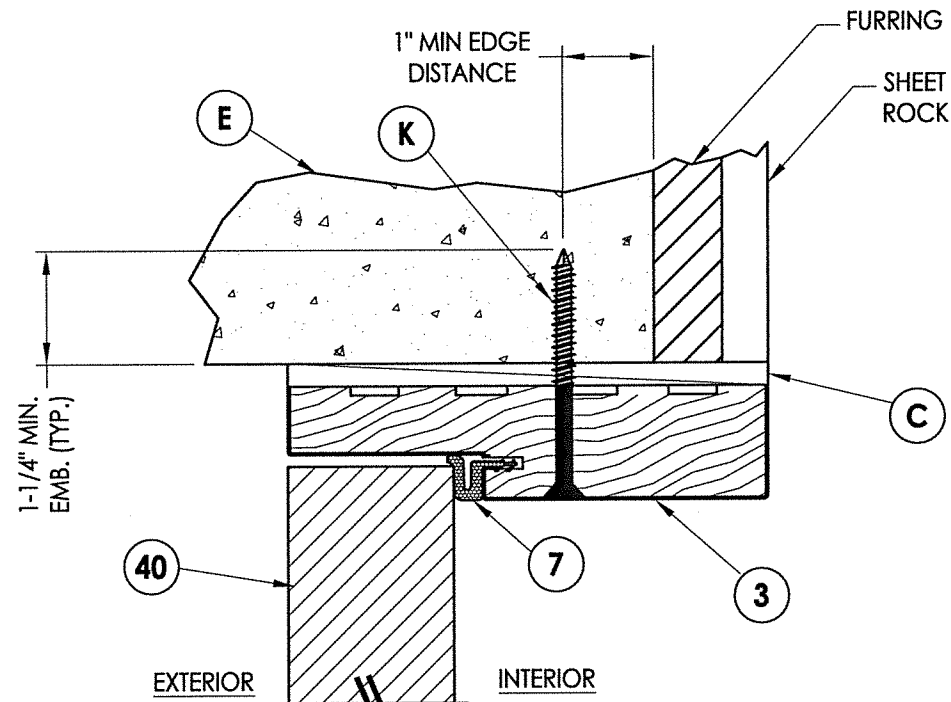
3 HORIZONTAL CROSS SECTION
6 Outswing shown - Inswing also approved

NOTE:
 1. Item #26 located 6" from each end plus 5 more equally spaced (7 total).



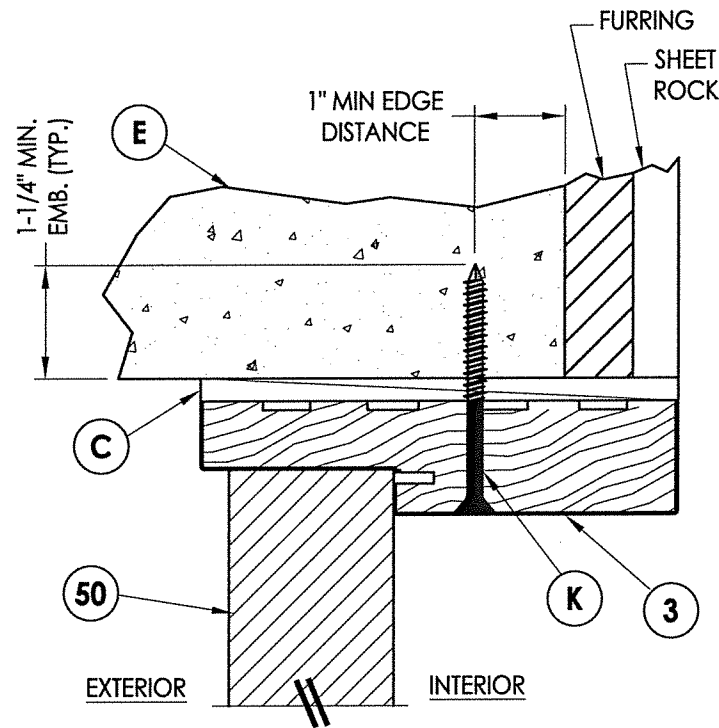
Documents Prepared By:
 Lyndon F. Schmidt
 P.E. No. 43409
 April 15, 2021
 R.W. BUILDING CONSULTANTS, INC.
 P.O. Box 230, Valrico, FL 33595
 Phone No.: 813.659.9197
 FBPE Registry No. 9813

PRODUCT: TRINITY GLASS INT'L	
PART OR ASSEMBLY: HORIZONTAL & VERTICAL CROSS SECTIONS (1X BUCK)	
NO.	DATE
BY	REVISIONS
DATE: 4/15/21	
SCALE: N.T.S.	
DWG. BY: RW	
CHK. BY: LFS	
DRAWING NO.: FL-25575.16	
SHEET 6 OF 13	

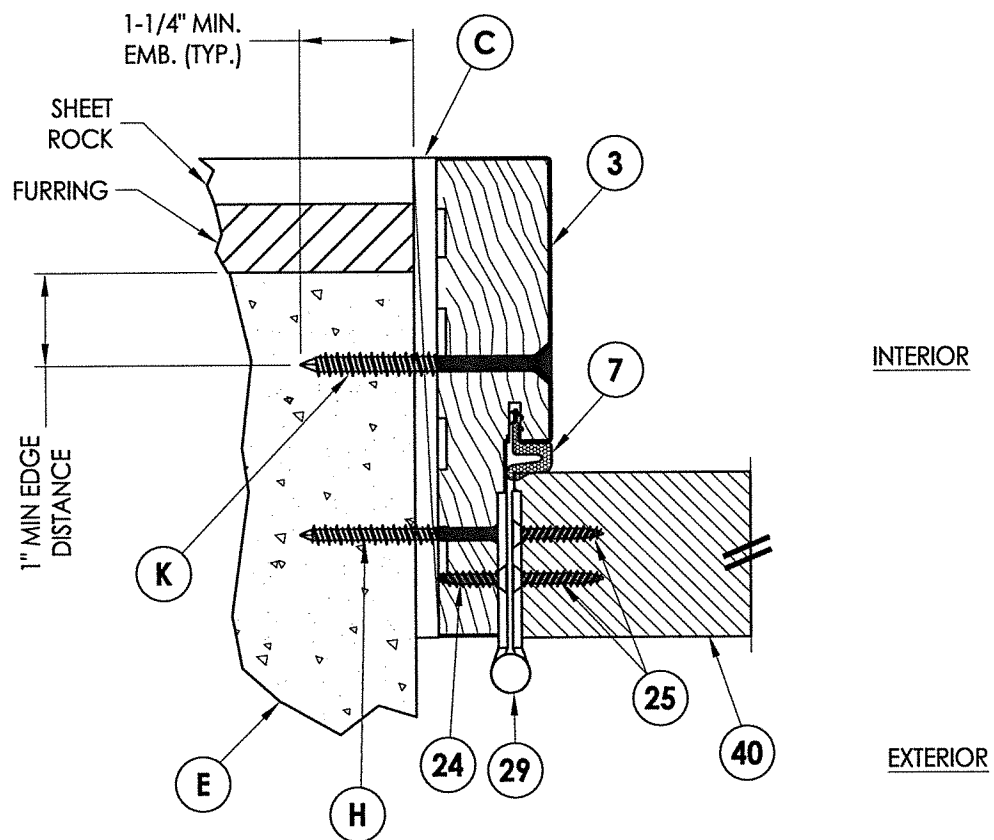


4 VERTICAL CROSS SECTION
7 Outswing only

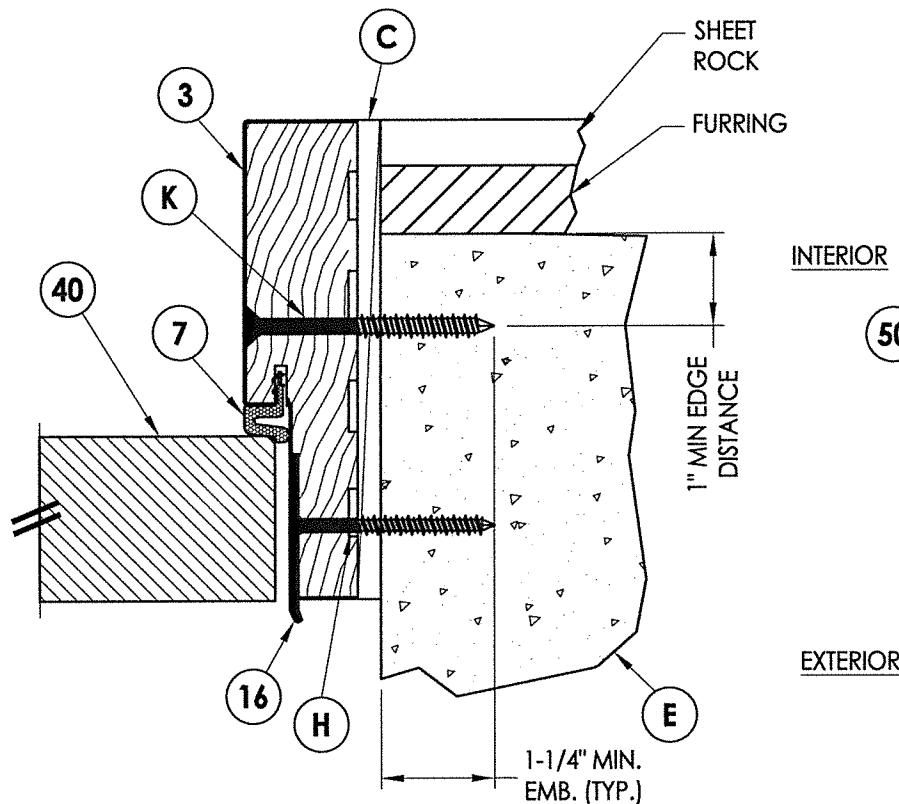
NOTE:
1. Item #26 located 6" from each end plus 5 more equally spaced (7 total).



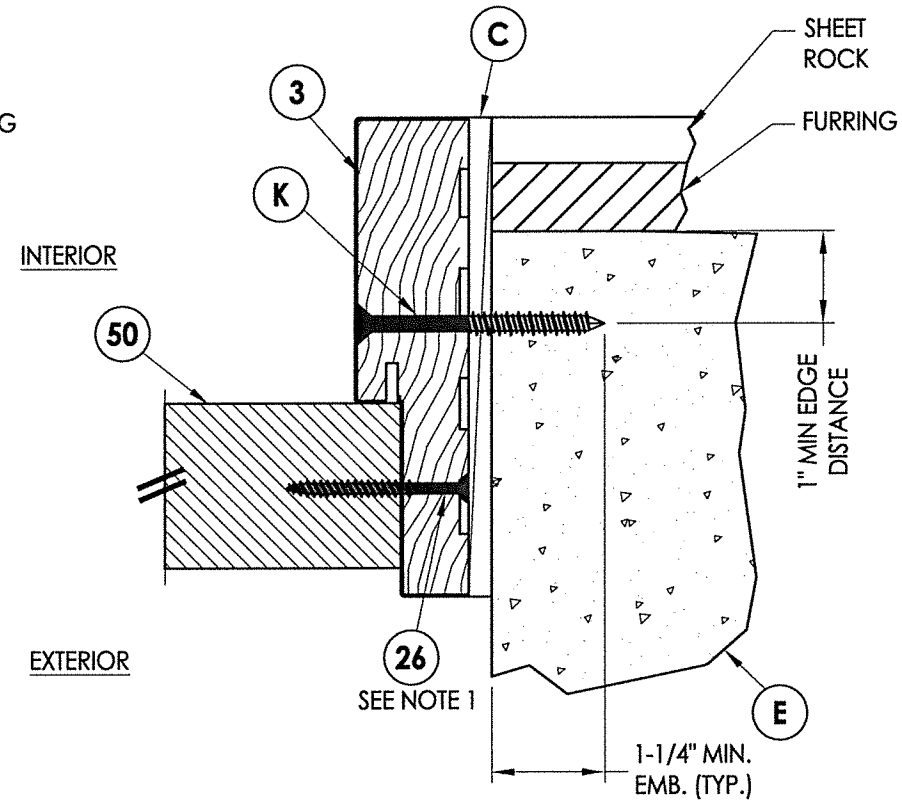
5 VERTICAL CROSS SECTION
7 Outswing only



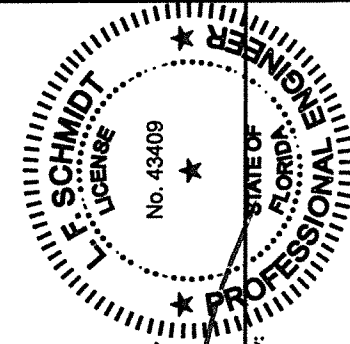
1 HORIZONTAL CROSS SECTION
7 Outswing only



2 HORIZONTAL CROSS SECTION
7 Outswing only



3 HORIZONTAL CROSS SECTION
7 Outswing only



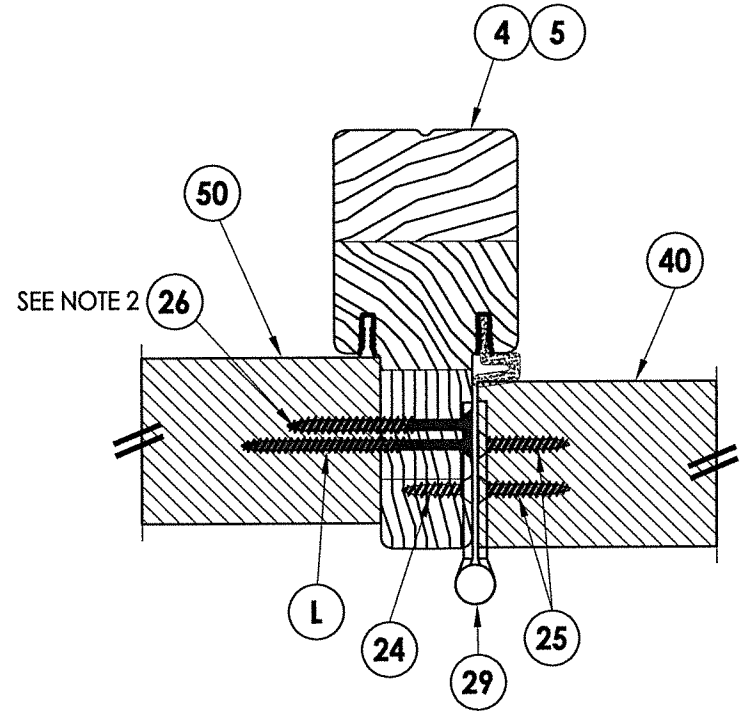
April 15, 2021
Documents Prepared By:
Lyndon F. Schmidt
P.E. No. 43409

R.W. BUILDING CONSULTANTS, INC.
P.O. Box 230, Valrico, FL 33595
Phone No.: 813.659.9197
FBPE Registry No. 9813

PRODUCT: TRINITY GLASS INT'L	
PART OR ASSEMBLY: HORIZONTAL & VERTICAL CROSS SECTIONS (DIRECT TO MASONRY)	
NO.	DATE
REVISIONS	
BY	
DATE: 4/15/21	
SCALE: N.T.S.	
DWG. BY: RW	
CHK. BY: LFS	
DRAWING NO.: FL-25575.16	
SHEET 7 OF 13	

NOTES:

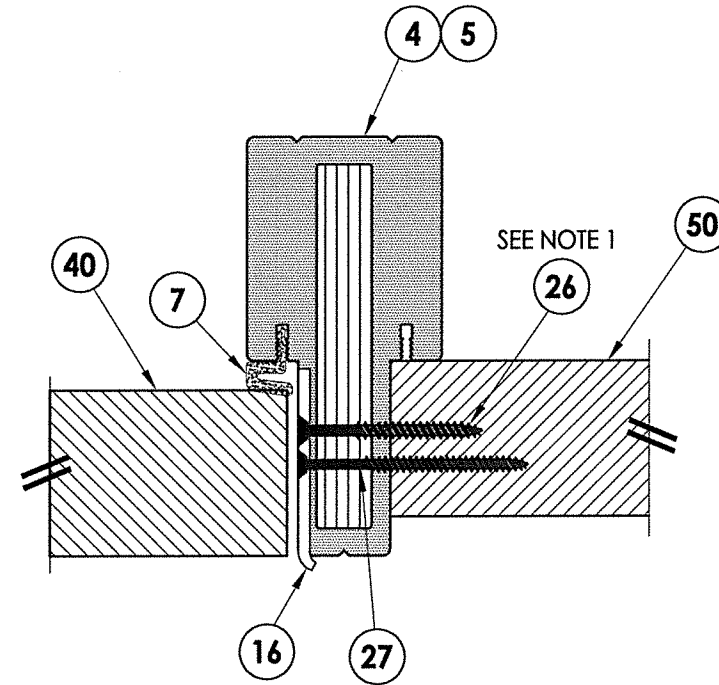
1. Item #26 located @ 6", 20" & 34" from the head down and @ 6" & 20" from the sill up (5 screws total).
2. Item #26 equally spaced between each hinge (3 total).



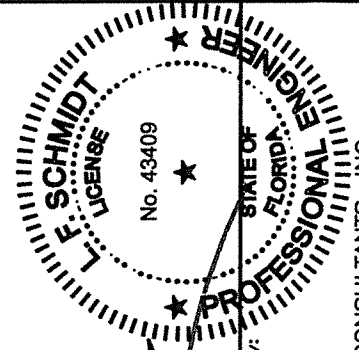
1 HORIZONTAL CROSS SECTION
8 Outswing shown - Inswing also approved

INTERIOR

EXTERIOR



2 HORIZONTAL CROSS SECTION
8 Outswing shown - Inswing also approved



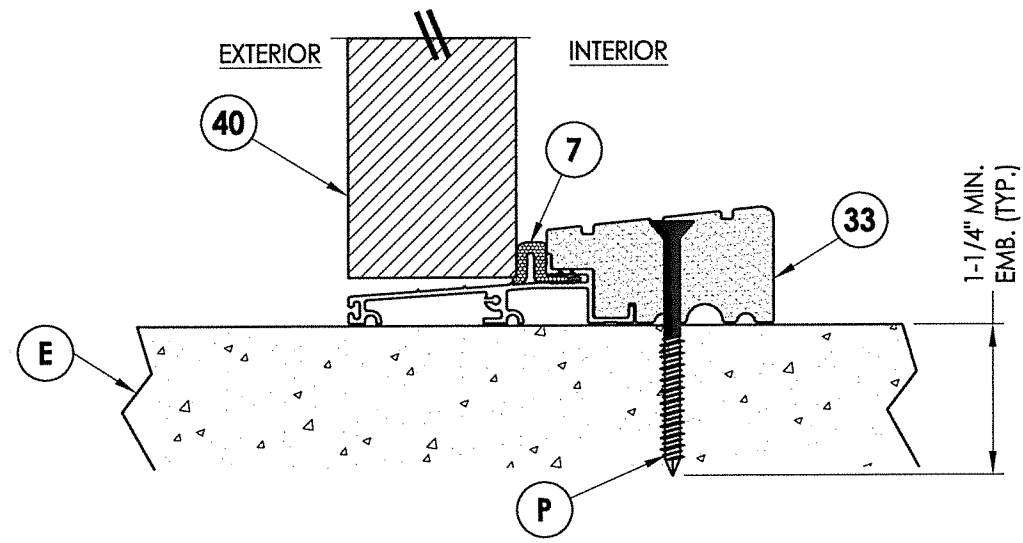
LFS

April 15, 2021

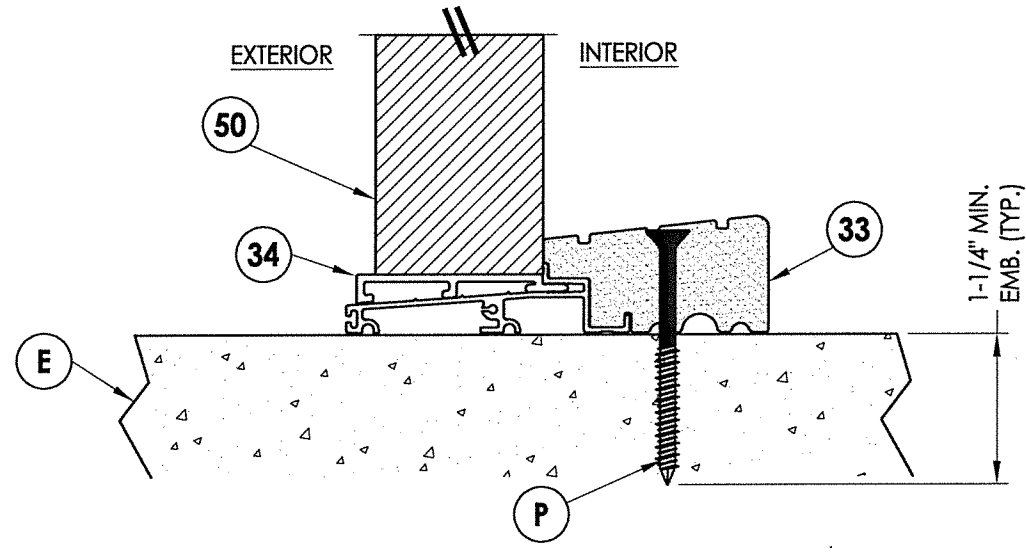
Documents Prepared By:
 Lyndon F. Schmidt
 P.E. No. 43409

RW
 BUILDING CONSULTANTS, INC.
 P.O. Box 230, Valrico, FL 33595
 Phone No.: 813.659.9197
 FBPE Registry No. 9813

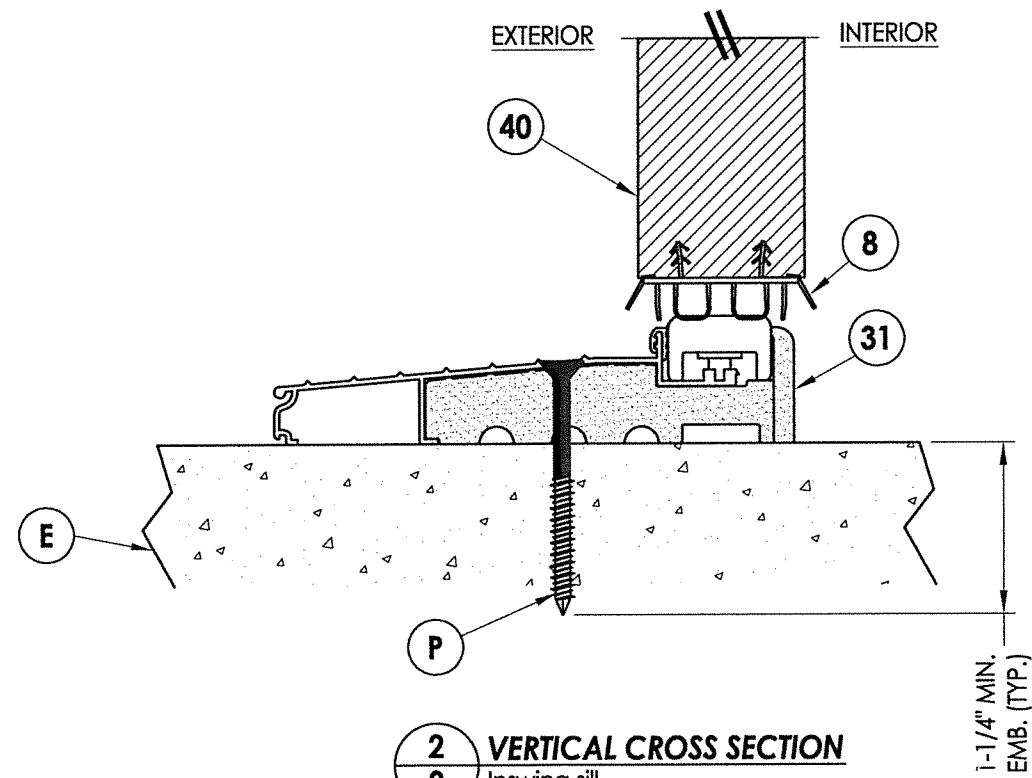
PRODUCT:	TRINITY GLASS INT'L	
PART OR ASSEMBLY:	HORIZONTAL CROSS SECTIONS	
NO.	DATE	BY
REVISIONS		
DATE:	4/15/21	
SCALE:	N.T.S.	
DWG. BY:	RW	
CHK. BY:	LFS	
DRAWING NO.:	FL-25575.16	
SHEET	8	OF 13



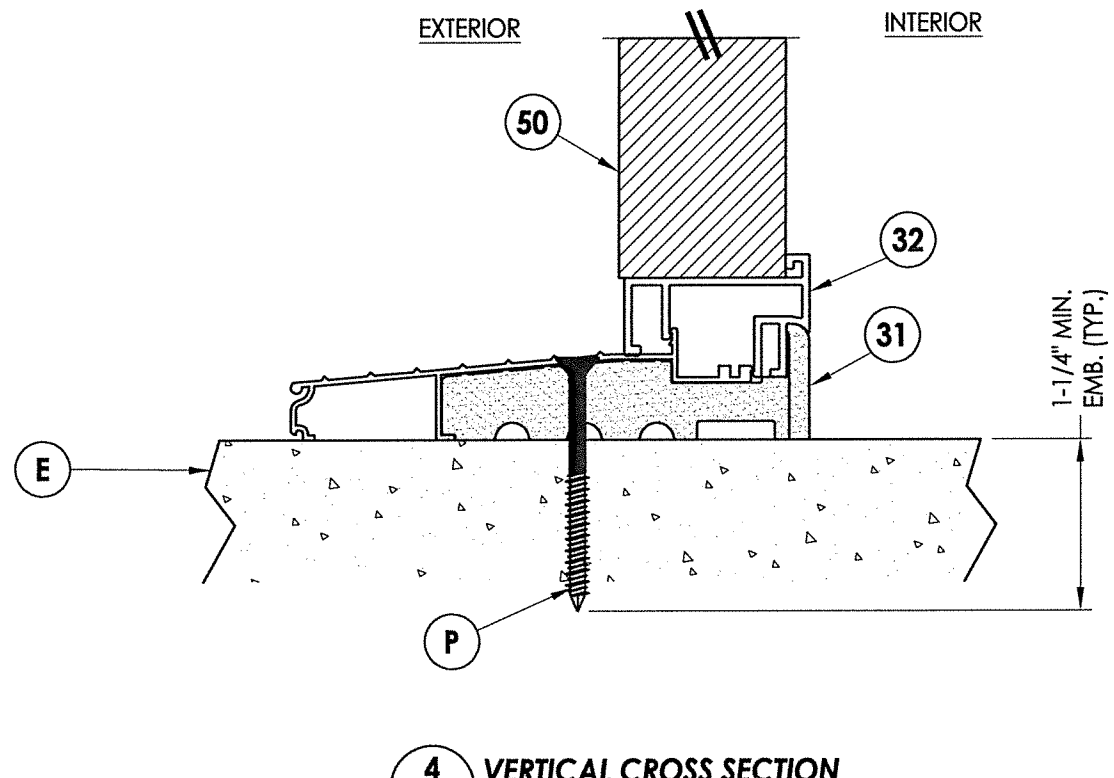
1 VERTICAL CROSS SECTION
9 Outswing sill - high dam



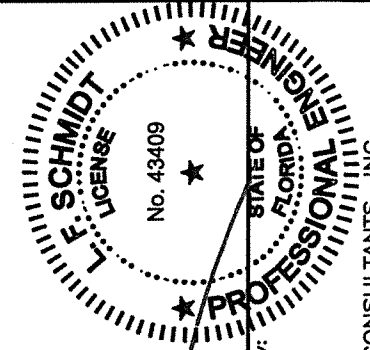
3 VERTICAL CROSS SECTION
9 Outswing sill - high dam



2 VERTICAL CROSS SECTION
9 Inswing sill



4 VERTICAL CROSS SECTION
9 Inswing sill



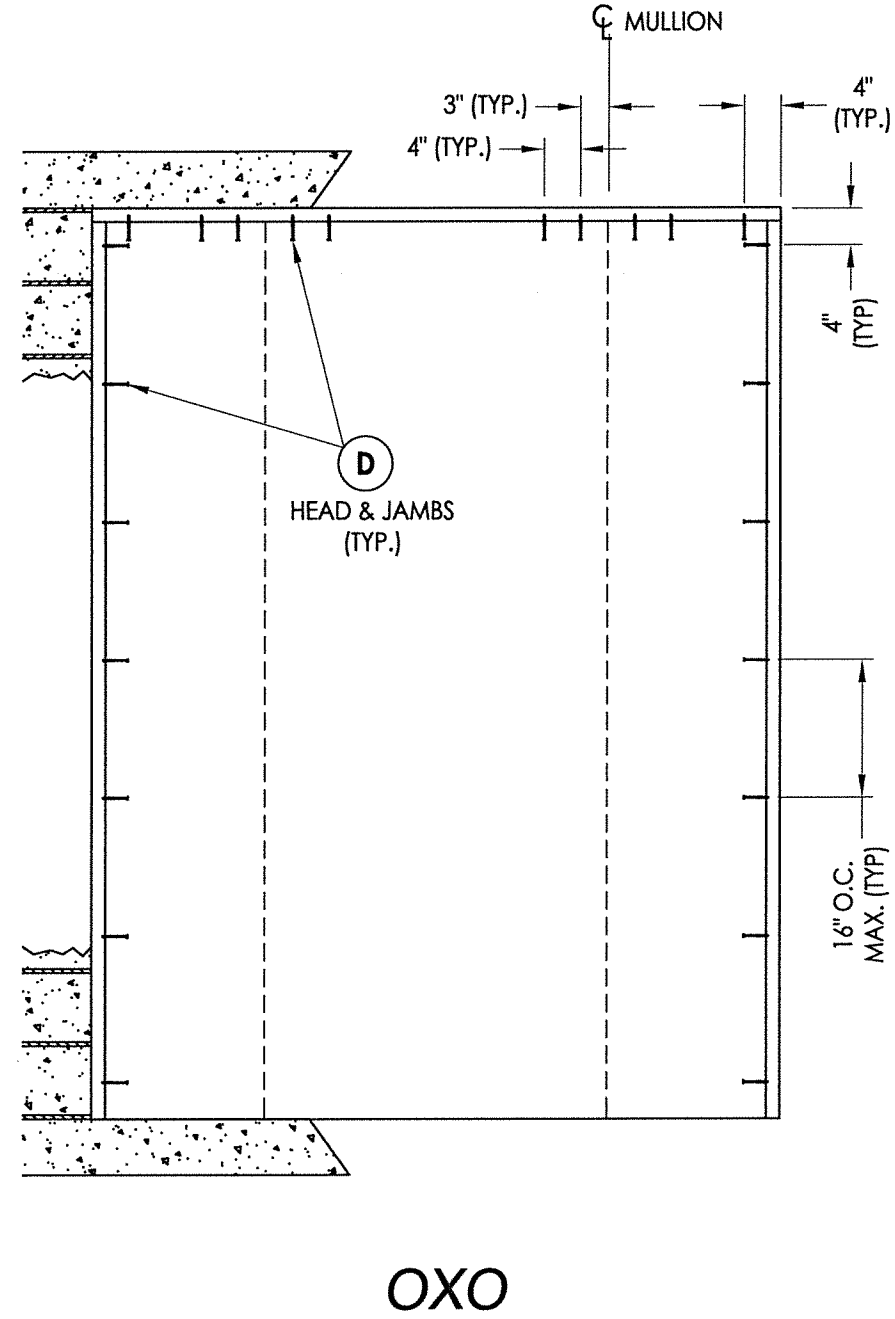
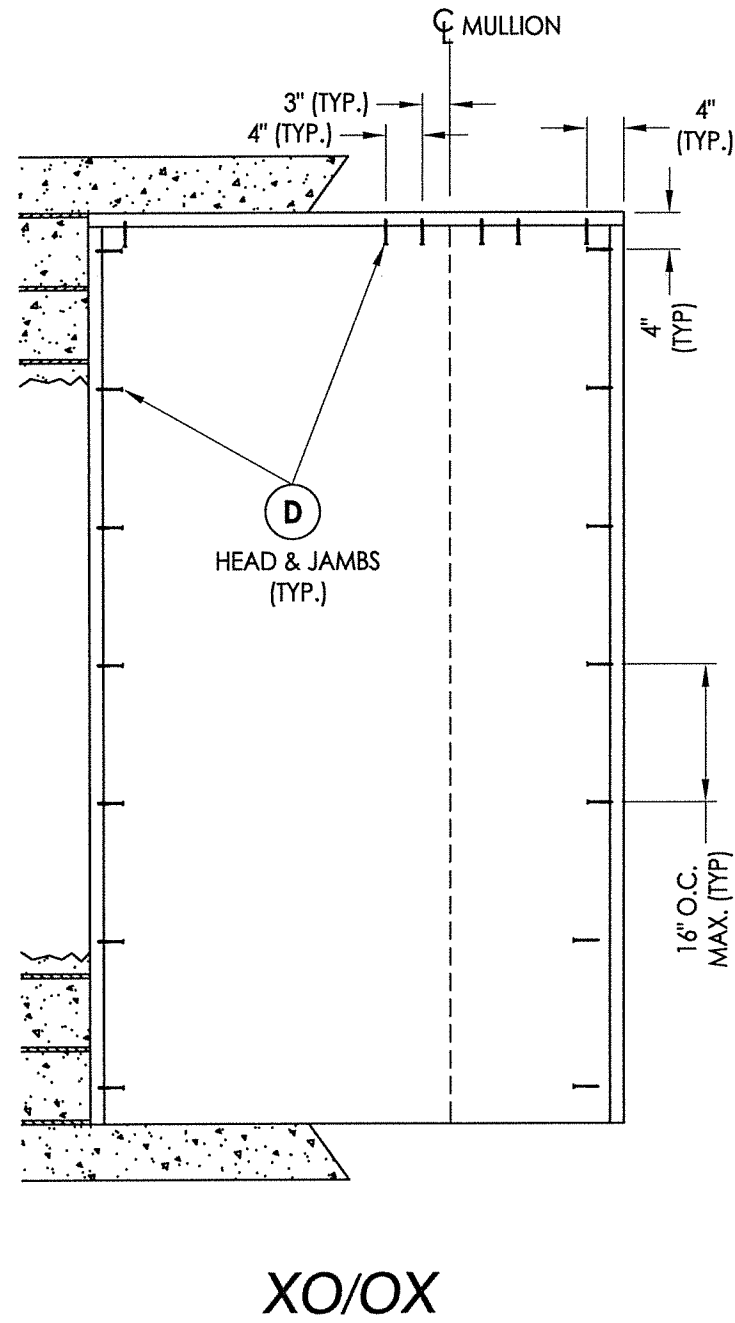
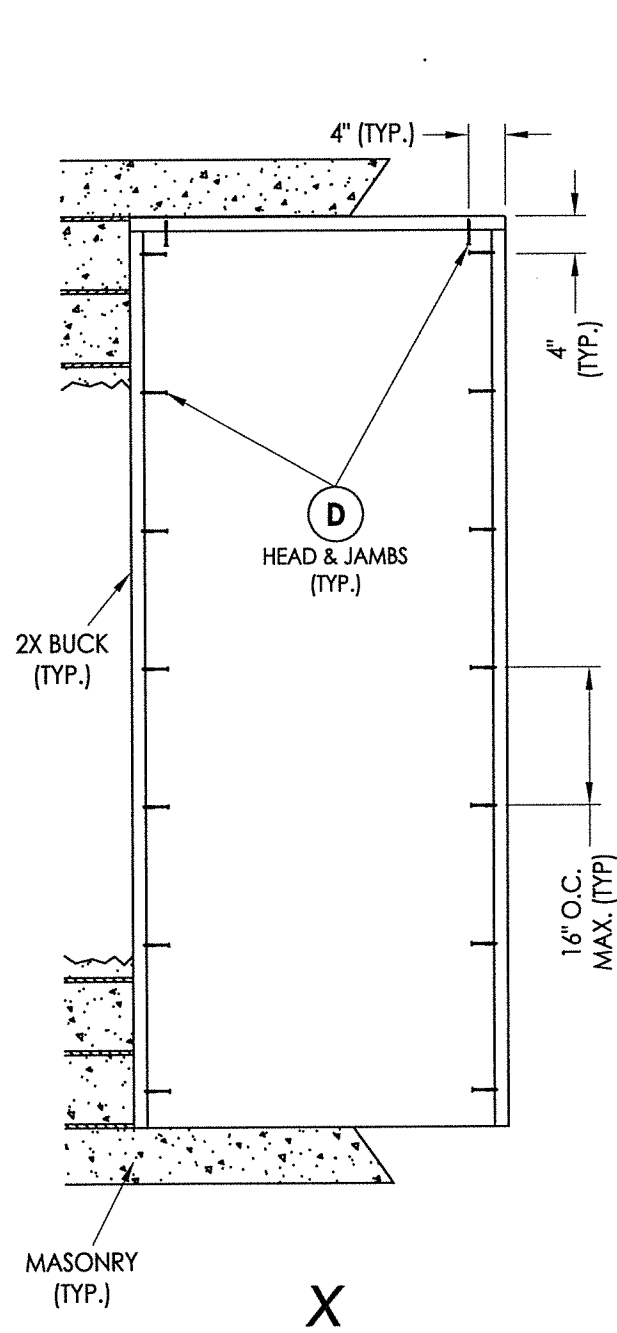
L.F. Schmidt

April 15, 2021

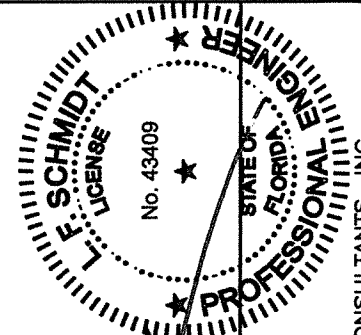
Documents Prepared By:
Lyndon F. Schmidt
P.E. No. 43409

R.W. BUILDING CONSULTANTS, INC.
P.O. Box 230, Valrico, FL 33595
Phone No.: 813.659.9197
FBPE Registry No. 9813

PRODUCT: TRINITY GLASS INT'L	
PART OR ASSEMBLY: VERTICAL CROSS SECTIONS	
NO.	DATE
BY	REVISIONS
DATE: 4/15/21	
SCALE: N.T.S.	
DWG. BY: RW	
CHK. BY: LFS	
DRAWING NO.: FL-25575.16	
SHEET 9 OF 13	



2X BUCK ANCHORING

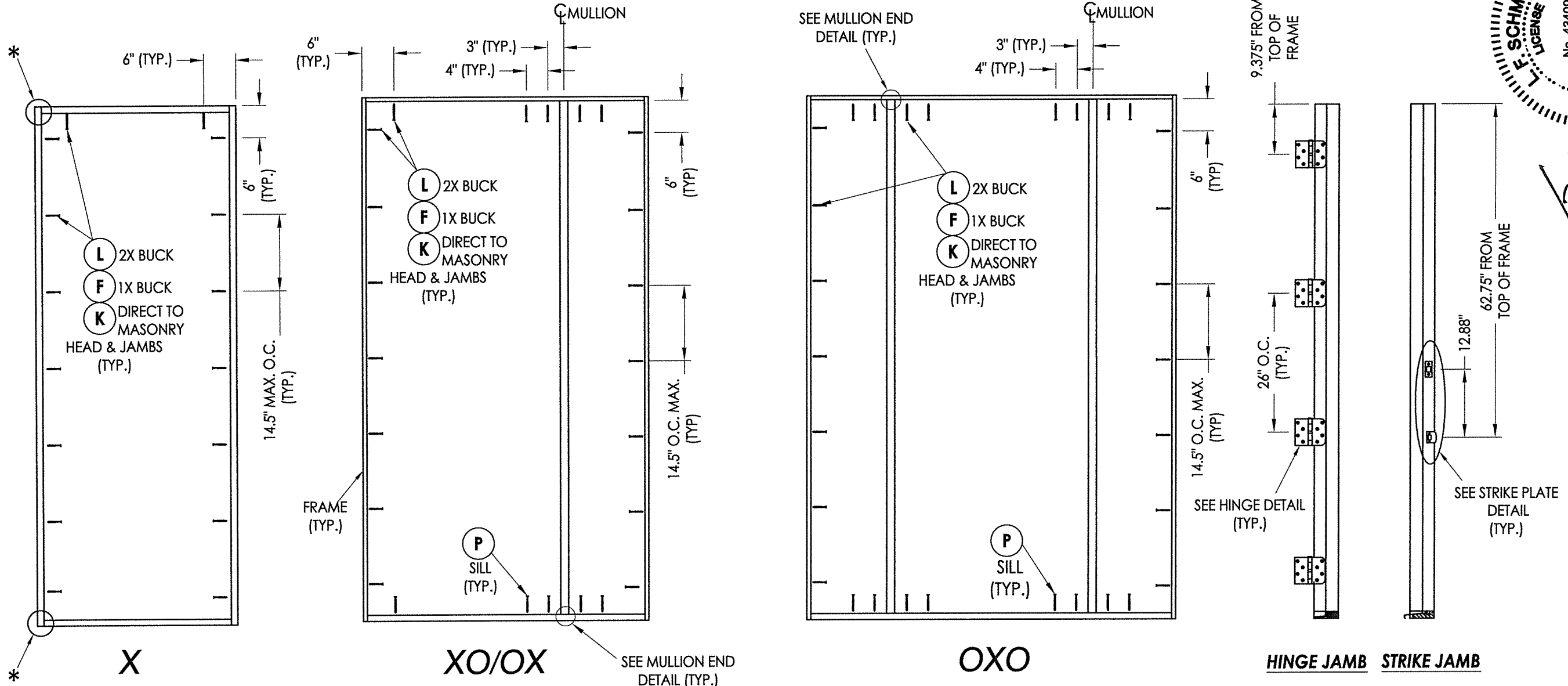


April 15, 2021
 Documents Prepared By:
 Lyndon F. Schmidt
 P.E. No. 43409

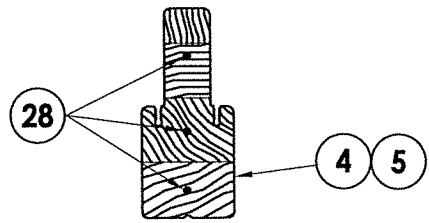
RW
 BUILDING CONSULTANTS, INC.
 P.O. Box 230, Valrico, FL 33595
 Phone No.: 813.659.9197
 FBPE Registry No. 9813

PRODUCT: TRINITY GLASS INT'L	
PART OR ASSEMBLY: BUCK ANCHORING	
NO.	DATE
BY	
REVISIONS	
DATE: 4/15/21	
SCALE: N.T.S.	
DWG. BY: RW	
CHK. BY: LFS	
DRAWING NO.: FL-25575.16	
SHEET 10 OF 13	

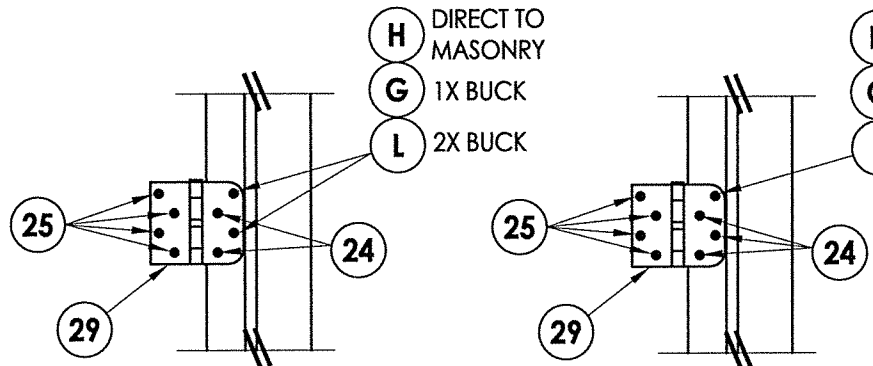
*NOTE: FRAME CORNERS ATTACHED w/ #8 X 2" COURSE THREAD DRYWALL SCREWS: (3) @ HEAD, (3) @ INSWING SILL & (2) @ OUTSWING SILL (TYP.).



FRAME ANCHORING

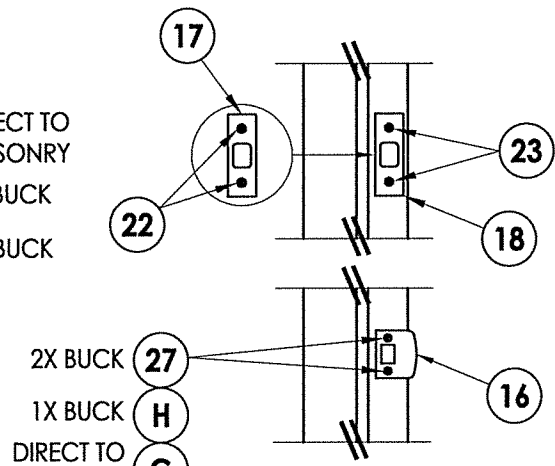


MULLION END DETAIL
(TYP. @ HEAD & SILL)

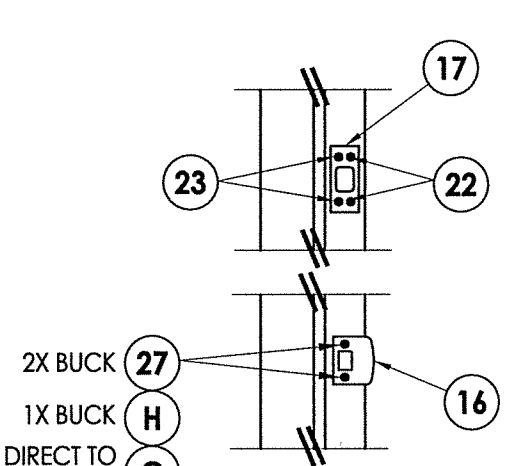


HINGE DETAIL
INSWING

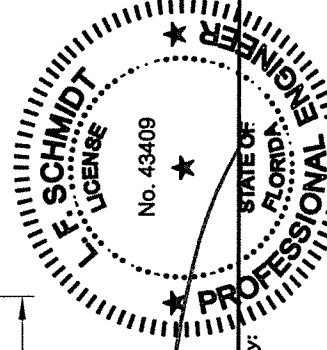
HINGE DETAIL
OUTSWING



STRIKE PLATE DETAIL
SCHLAGE LOCKSET



STRIKE PLATE DETAIL
KWIKSET LOCKSET

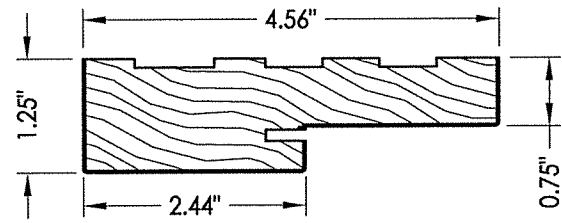


Lyndon F. Schmidt
P.E. No. 43409
April 15, 2021
Professional Engineer
No. 43409
STATE OF FLORIDA
RW BUILDING CONSULTANTS, INC.
P.O. Box 230, Valrico, FL 33595
Phone No.: 813.659.9197
FBPE Registry No. 9813

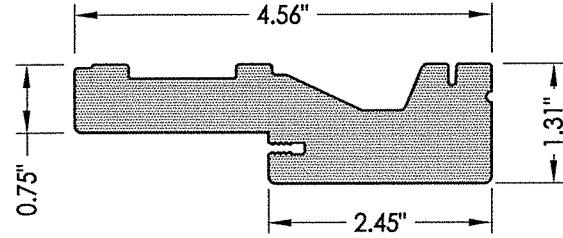
PRODUCT:	TRINITY GLASS INT'L
PART OR ASSEMBLY:	FRAME ANCHORING

NO.	DATE	BY	REVISIONS

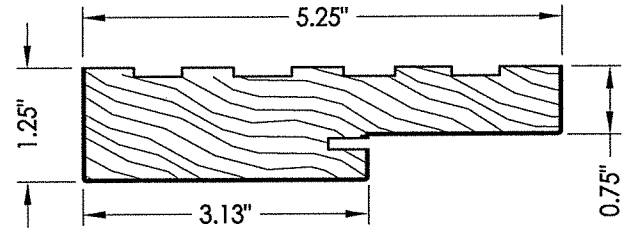
DATE: 4/15/21
SCALE: N.T.S.
DWG. BY: RW
CHK. BY: LFS
DRAWING NO.: FL-25575.16
SHEET 11 of 13



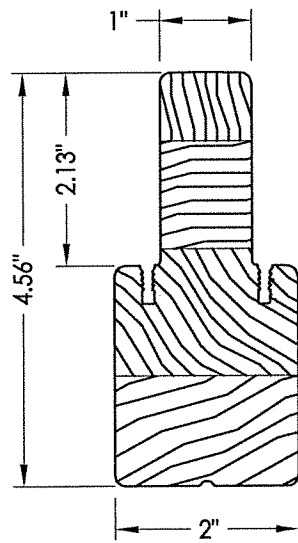
1 HEAD & JAMBS
FINGER JOINT PINE



2 HEAD & JAMBS
PVC



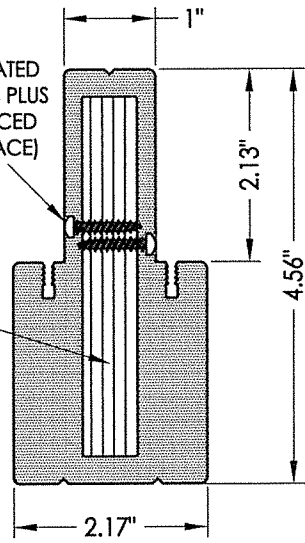
3 HEAD & JAMBS
FINGER JOINT PINE



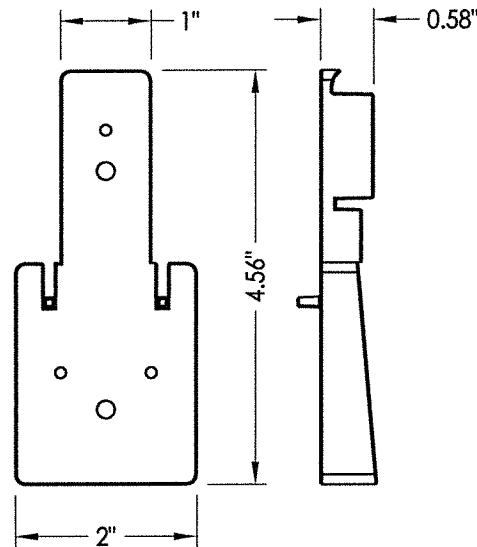
4 INTEGRAL MULLION
PINE

#8 X 3/4" PH SMS LOCATED
1-1/2" TO 3" FROM ENDS PLUS
5 MORE EQUALLY SPACED
(7 TOTAL MIN. EACH FACE)

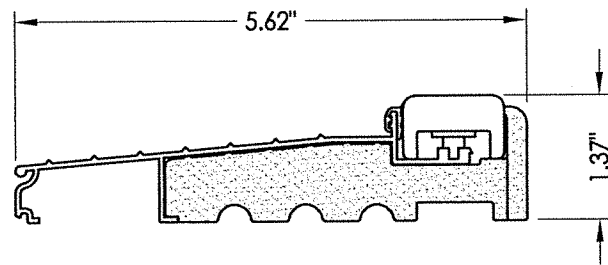
0.6" X 3.9" LVL
INSERT



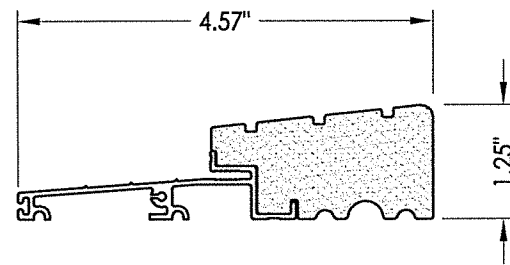
5 INTEGRAL MULLION
PVC/LVL



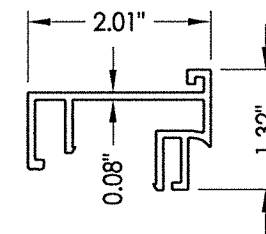
6 INTEGRAL MULLION BASE KIT
Optional



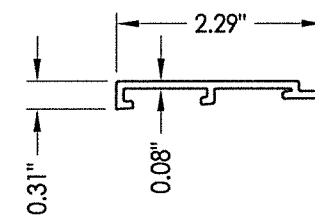
31 INSWING THRESHOLD



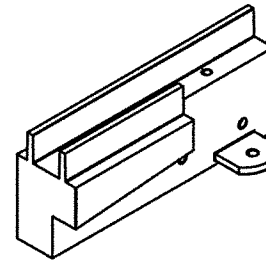
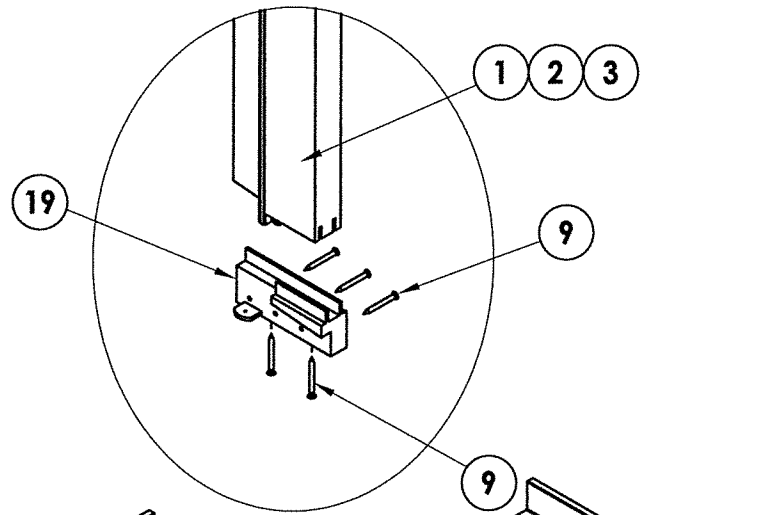
33 OUTSWING THRESHOLD
High-dam



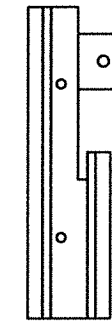
32 SIDELITE SPACER
Inswing



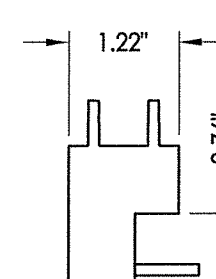
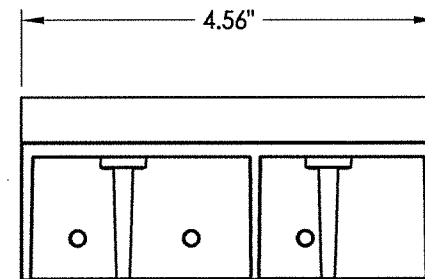
34 SIDELITE SPACER
Outswing



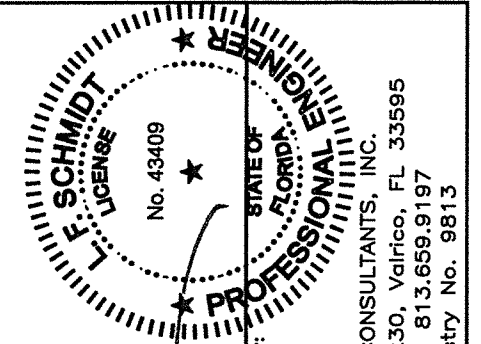
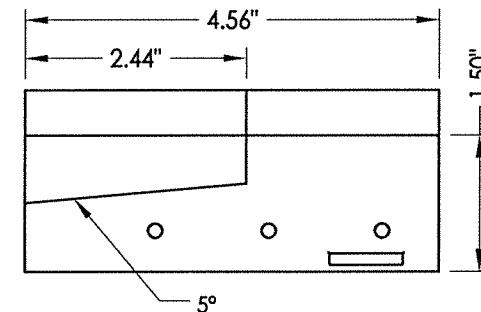
SILLKEY (LEFT)



SILLKEY (RIGHT)



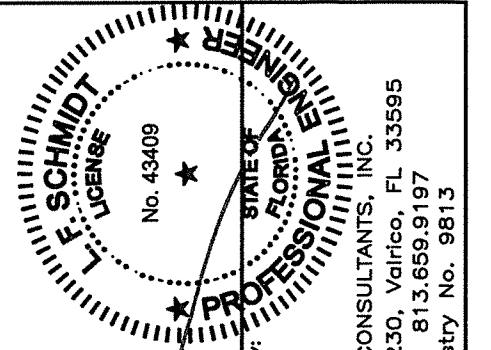
19 SILLKEY DETAILS
Optional




April 15, 2021
 Documents Prepared By:
 Lyndon F. Schmidt
 P.E. No. 43409
 R.W. BUILDING CONSULTANTS, INC.
 P.O. Box 230, Valrico, FL 33595
 Phone No.: 813.659.9197
 FBPE Registry No. 9813

PRODUCT: TRINITY GLASS INT'L	
PART OR ASSEMBLY: COMPONENTS	
NO.	DATE
BY	REVISIONS
DATE: 4/15/21	SCALE: N.T.S.
DWG. BY: RW	CHK. BY: LFS
DRAWING NO.: FL-25575.16	
SHEET 12 OF 13	

BILL OF MATERIALS		
ITEM #	DESCRIPTION	MATERIAL
A	1X BUCK (SG >= 0.42)	WOOD
B	2X BUCK (SG >= 0.42)	WOOD
C	1/4" MAX. SHIM SPACE	-
D	1/4" X 2-3/4" PFH DeWALT OR ITW CONCRETE SCREW	STEEL
E	MASONRY - 3,000 PSI MIN. CONCRETE CONFORMING TO ACI 301 OR HOLLOW BLOCK CONFORMING TO ASTM C90	CONCRETE
F	1/4" X 3-3/4" PFH ITW CONCRETE SCREW	STEEL
G	3/16" X 3-1/4" PFH ITW CONCRETE SCREW	STEEL
H	3/16" X 2-1/4" PFH ITW CONCRETE SCREW	STEEL
K	1/4" X 2-3/4" PFH DeWALT CONCRETE SCREW	STEEL
L	#10 X 2-1/2" PFH WS (1.15" MIN. EMBEDMENT)	STEEL
P	1/4" X 2-3/4" PFH DeWALT OR ITW CONCRETE SCREW	STEEL
1	HEAD & JAMB (FINGER JOINT PINE: SG >= 0.42)	WOOD
2	HEAD & JAMB	PVC
3	HEAD & JAMB (5.25") (FINGER JOINT PINE: SG >= 0.42)	WOOD
4	INTEGRAL MULLION (PINE: SG >= 0.42)	WOOD
5	INTEGRAL MULLION (PVC)	PVC
6	INTEGRAL MULLION BASE KIT	ABS
7	WEATHERSTRIP	FOAM
8	DOOR BOTTOM SWEEP	PVC
9	#6 X 1-1/4" PFH DRYWALL SCREW	STEEL
11	#9 X 2-1/4" PFH WOOD SCREW	STEEL
16	LATCH STRIKE PLATE	STEEL
17	DEADBOLT STRIKE PLATE	STEEL
18	DEADBOLT SUB-STRIKE PLATE	STEEL
19	SILLKEY	ABS
22	#8 X 1/2" PFH WOOD SCREW	STEEL
23	#12 X 2-1/2" PFH WOOD SCREW	STEEL
24	#9 X 3/4" PFH WS	STEEL
25	#9 X 1" PFH WS	STEEL
26	#10 X 2" PFH WS	STEEL
27	#8 X 2-1/2" PFH WOOD SCREW	STEEL
28	#10 X 3" PFH WOOD SCREW	STEEL
29	4" X 4" HINGE	STEEL
31	INSWING THRESHOLD ALUMINUM w/ COMPOSITE SUBSTRATE	ALUM/ COMP
32	SIDELITE SPACER - INSWING	PVC
33	OUTSWING HIGH - DAM THRESHOLD ALUMINUM w/ COMPOSITE SUBSTRATE	ALUM/ COMP
34	SIDELITE SPACER - OUTSWING	PVC
40	DOOR PANEL	-
50	SIDELITE PANEL	-




 April 15, 2021
 Documents Prepared By:
 Lyndon F. Schmidt
 P.E. No. 43409
 BUILDING CONSULTANTS, INC.
 P.O. Box 230, Valrico, FL 33595
 Phone No.: 813.659.9197
 FBPE Registry No. 9813

PRODUCT:	TRINITY GLASS INT'L
PART OR ASSEMBLY:	BILL OF MATERIALS
NO.	DATE
BY	REVISIONS

CONCRETE ANCHOR NOTES:

- Concrete anchor locations at the corners may be adjusted to maintain the min. edge distance to mortar joints.
- Concrete anchor locations noted as "MAX. ON CENTER" must be adjusted to maintain the min. edge distance to mortar joints, additional concrete anchors may be required to ensure the "MAX. ON CENTER" dimension are not exceeded.
- Concrete anchor table:

ANCHOR TYPE	ANCHOR SIZE	MIN. EMBEDMENT	MIN. CLEARANCE TO MASONRY EDGE	MIN. CLEARANCE TO ADJACENT ANCHOR
ITW BUILDEX TAPCON®	3/16"	1-1/4"	AS SHOWN	1-1/2"
	1/4"	1-1/4"	2"	4"
DeWALT ULTRACON®	1/4"	1-1/4"	1"	4"

WOOD SCREW INSTALLATION NOTES:

- Maintain a minimum 5/8" edge distance, 1" end distance, & 1" o.c. spacing of wood screws to prevent the splitting of wood.

DATE: 4/15/21
 SCALE: N.T.S.
 DWG. BY: RW
 CHK. BY: LFS
 DRAWING NO.: FL-25575.16
 SHEET 13 OF 13